

Delco Alternator Connections

(With this alternator the System Must be Negative Ground)

Delco 10 SI Alternator

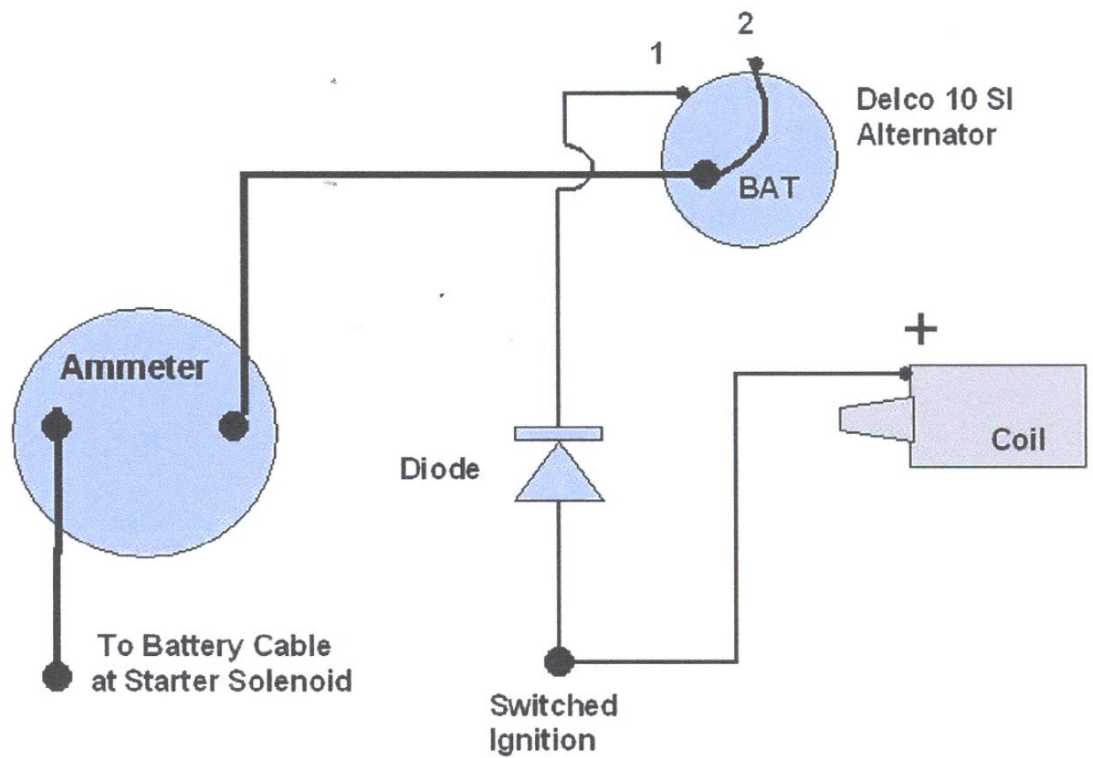
(SI = System Integrated or Internal Regulator)

10 Gauge wire recommended from Alternator to Ammeter and Ammeter to Battery

Diode: 1.5A @ 50 Volts
(or greater)
Band toward Alternator
(Radio Shack 276-1661 has good heavy leads)

Can use 10 ohm 10 watt resistor or "idiot light" in place of diode

Connect Ammeter to show Negative with lights or ignition on, engine not running.



RLV
5/09